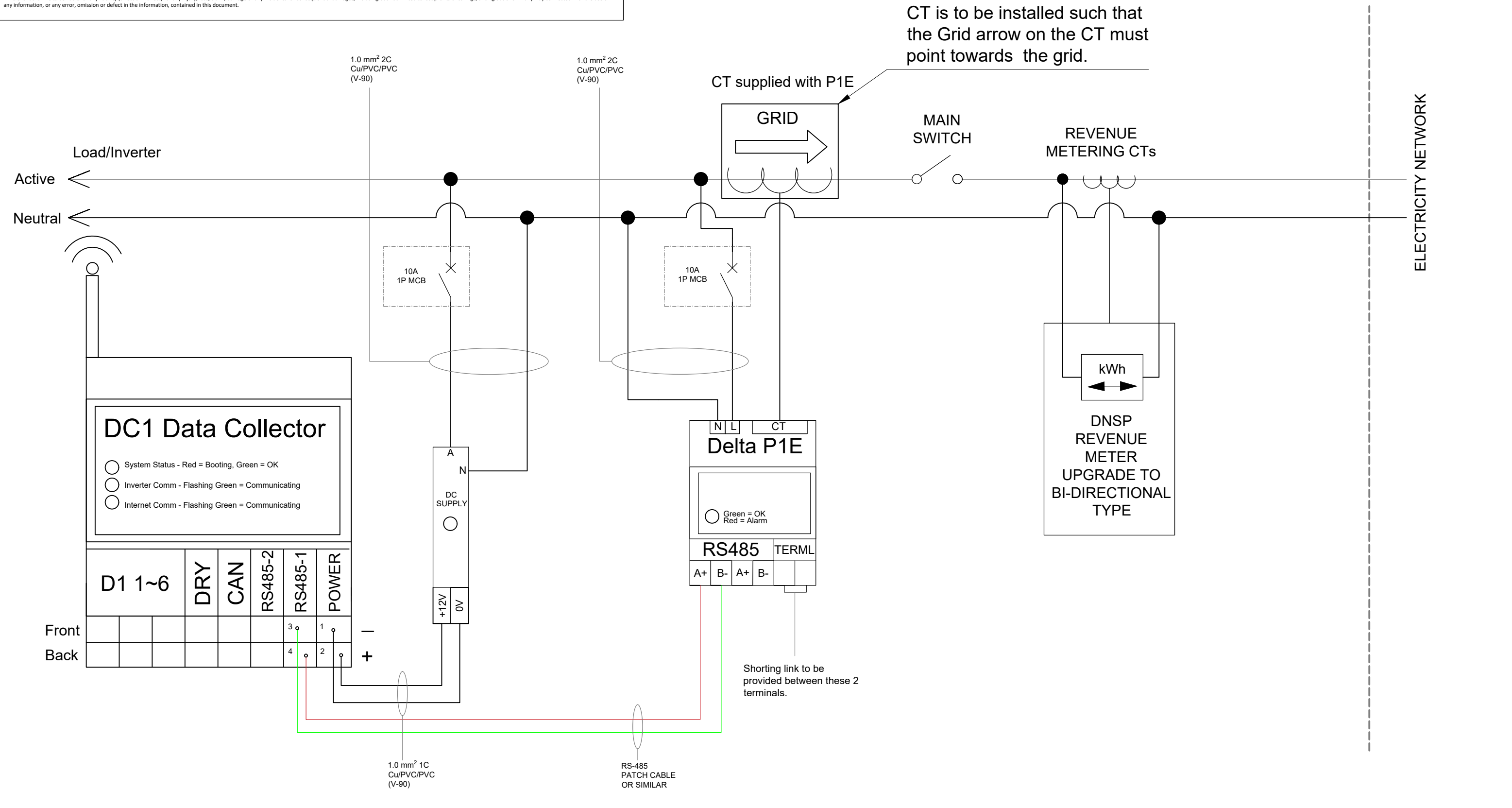


Disclaimer
 The information provided by Delta in this document is for illustration purposes only. Users of this information must not rely on it in any way whatsoever and should confirm information relevant to their needs and specific purpose from other own sources (including with respect to design, specifications, compatibility of products and compliance with rules and regulations). We strongly recommend that you consult relevant experts to assist you with respect to your specific design needs.
 Delta does not give any guarantees, undertakings or warranties (including implied warranties of merchantability or fitness for a particular purpose) with respect to the information, or any use of the information, including but not limited to:
 1. the accuracy and completeness of the information or that it is up-to-date.
 2. the information being fit for any intended or specific purpose;
 3. the information being compliant with any rules and regulations applicable in the jurisdiction in which the information is supplied.
 Any party placing reliance on information contained in this document does so at their own risk.
 In no event shall Delta be liable for any liability (direct or indirect) for any injury, loss, claim, damage or any incidental or consequential damages, including but not limited to lost profits or savings, arising out of or in any way connected with the use of any information, or any error, omission or defect in the information, contained in this document.

DATA MANAGER DETAIL (See Note 2)



DELTA
 DELTA ELECTRONICS AUSTRALIA PTY.LTD.,
 21/45-57 Normanby Rd, Notting Hill VIC 3168
 Ph. 1300 335 823

THIS DRAWING IS PROPERTY OF DELTA AND MAY NOT BE COPIED (IN WHOLE OR IN PART) USED FOR MANUFACTURE OR DISCLOSED WITHOUT PRIOR CONSENT OF DELTA PRODUCT CORPORATION. DO NOT SCALE FROM THIS DRAWING

CLIENT:

PROJECT NAME:
Example PV system design with DC1-100

ADDRESS: SCALE:
 NTS

DRAWING TITLE: PAGE SIZE:
Electrical Schematic A3
DC1-100 Data Management System

DRAWING NUMBER: SHEET
401-A2-1xH5A-DC1-100 2 of 2

NOTES:
 1. All work shall be in accordance with AS/NZS3000 2018, AS/NZS3008.1.1 2017, AS/NZS4777.1 2016, AS/NZS4777.2 2015 and AS/NZS5033 2014
 2. For information regarding the PV system see drawing titled "1xH5A Flex & 6.5 kWp REC 295Wp"

REVISION REGISTER:

REV	NOTE	DRWN	CHCKD	DATE
A2	Grid arrow reversed	RM	SC	19/08/19
A1	For Approval	GZ	RM	27/06/19