

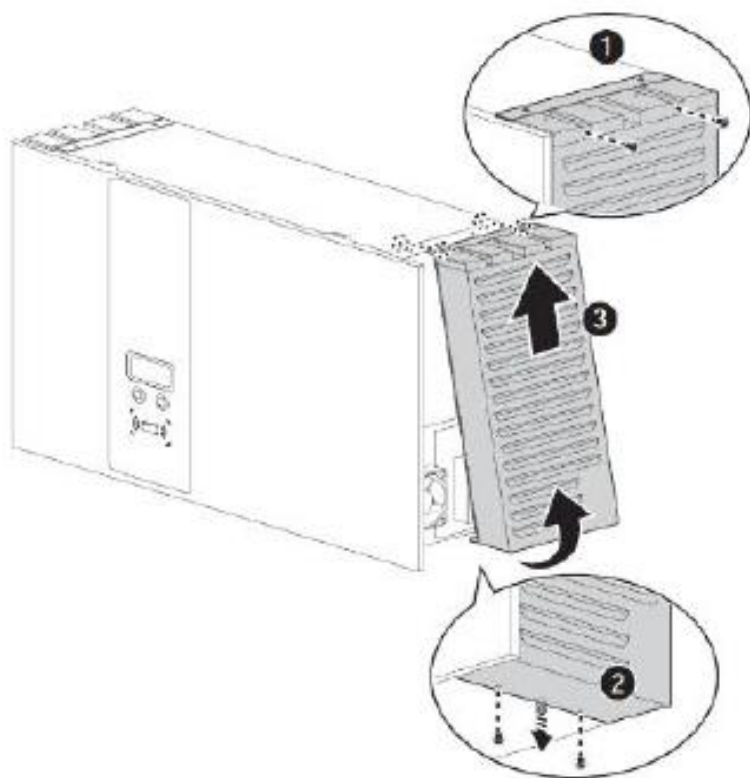
# Replace CSU

D002\_v1.0

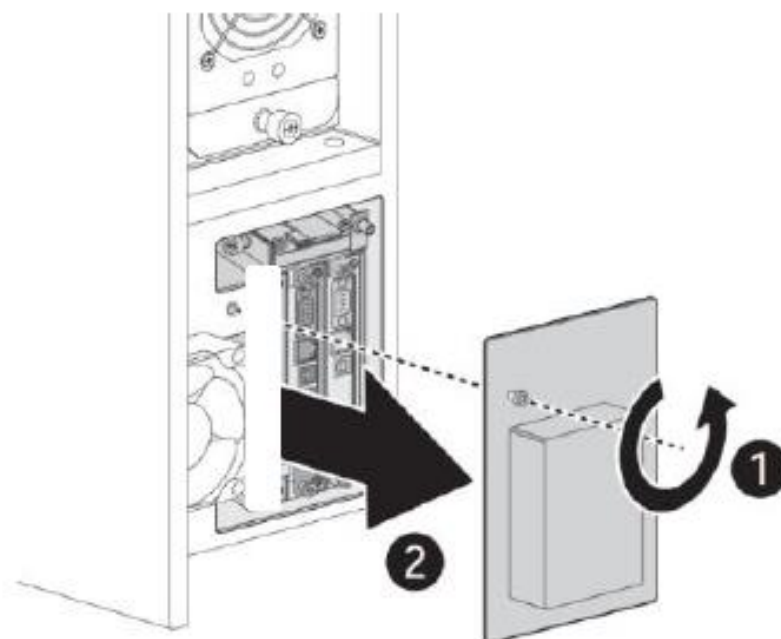


## Remove filter cover with T20 torx driver

- Release the two screws on top.
- Release the two screws on bottom and pull out the latch.
- Open and remove the filter cover.



## Remove protection cover



# Replace the BA CSU(1)

Step1:



➤ Turn off the power and take off the filter cover

Step2:



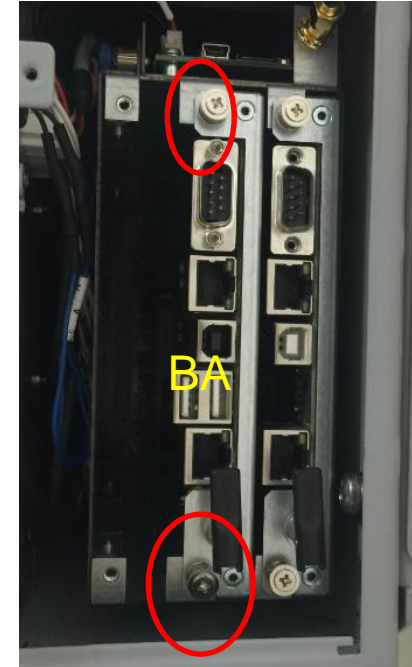
➤ Use screw driver to take off the cover

Step3:



➤ Take off the connector on BA CSU

Step4:



➤ Loose the two screw and pull up the BA CSU



# Replace the CA CSU(2)

Step1:



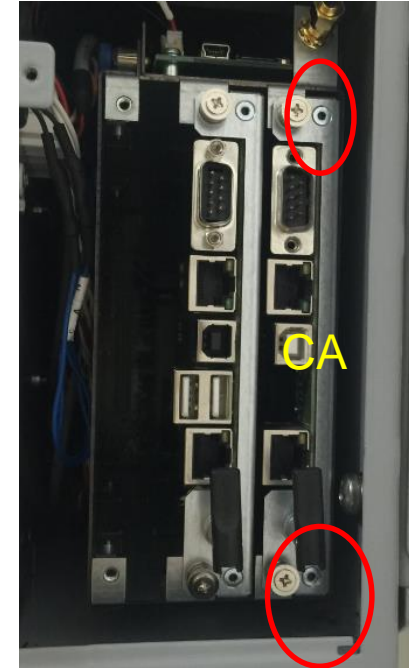
➤ Take off the filter cover

Step2:



➤ Use screw driver to take off the cover

Step3:

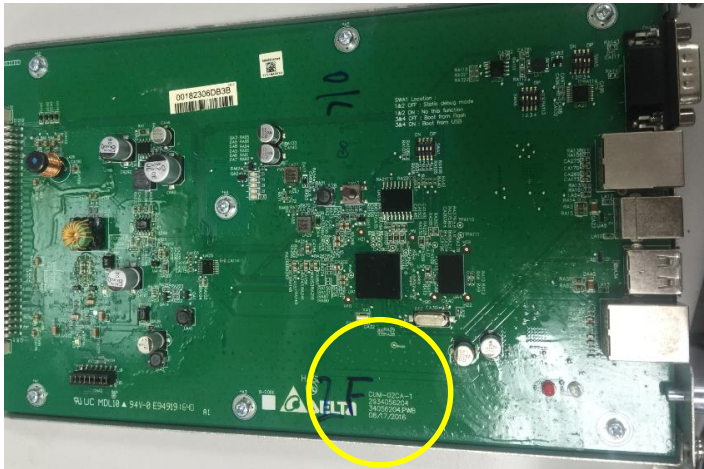


➤ Loose the two screw and pull up the CA CSU



# Identified BA and CA CSU

CA



BA



# Smarter. Greener. Together.

To learn more about Delta, please visit [www.deltaww.com](http://www.deltaww.com).

