

SMR communication failed

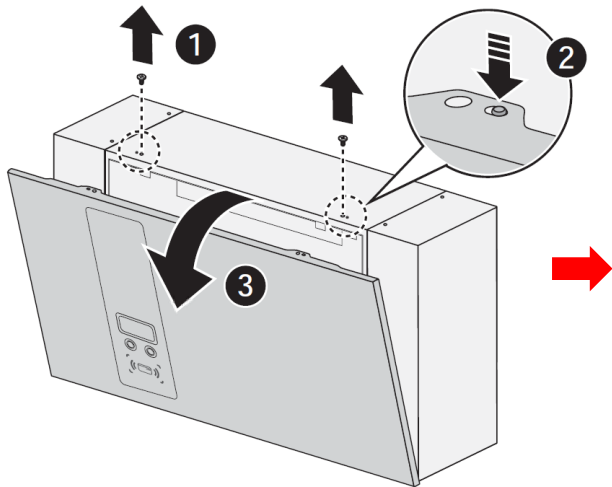
D009_v1.0



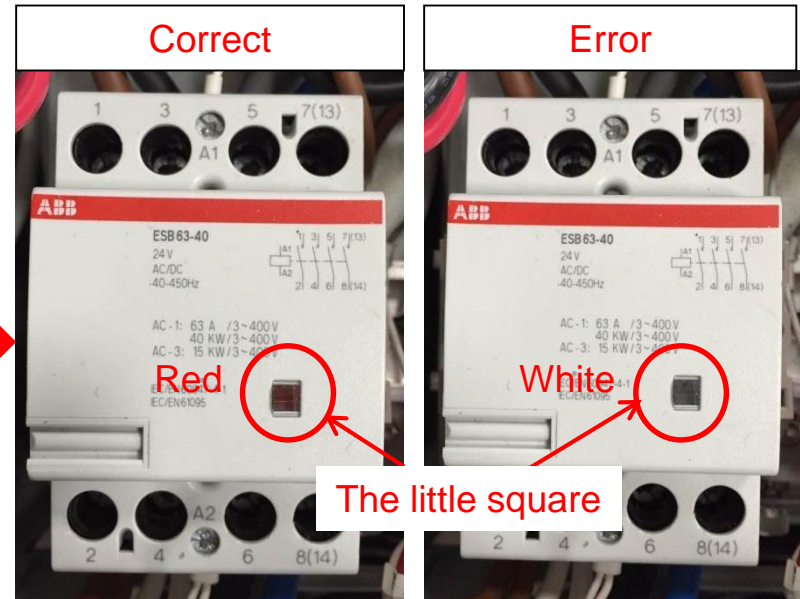
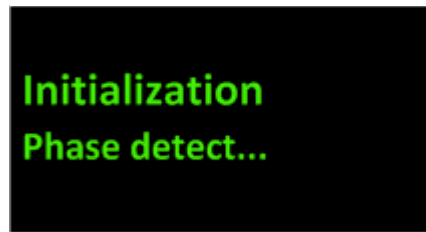
Description: Input contactor is driven fault.

Check Item:

1. Open the front cover of the UUT, then turn on the key switch.
2. When the screen shows “phase detect”, check the little square on the contactor is red or white.

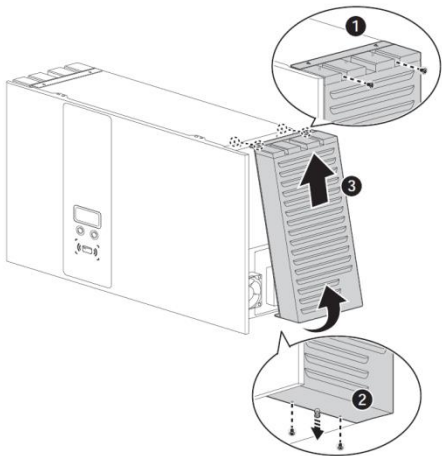


The screen display

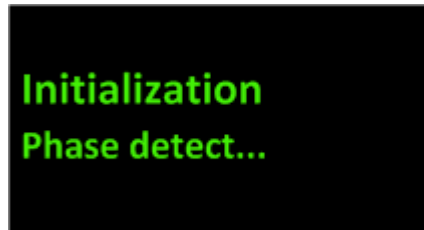


Check Item:

1. Open the filter cover on the right side of the UUT.
2. When the screen shows “phase detect”, check the light of the SMR is lighting or not.
3. If it is lighted, please check the signal line of the SMR.
4. If it is not lighted, turn off the key switch, then release the fixed screw of the SMR, and pull out the SMR and re-plug it.
5. Locking the screw of the SMR, then turn on key switch.



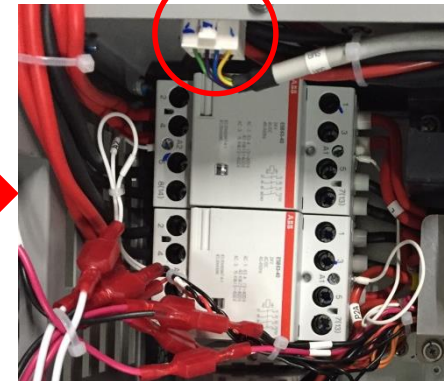
The screen display



The light of the SMR

The screw of the SMR

The signal line of the SMR



Check CSU is well connect

Step1:



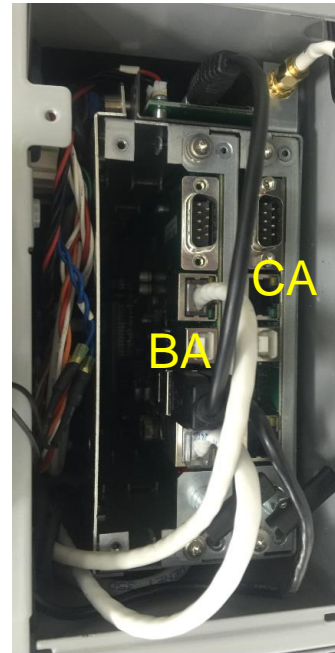
➤ Turn off the power and take off the filter cover

Step2:



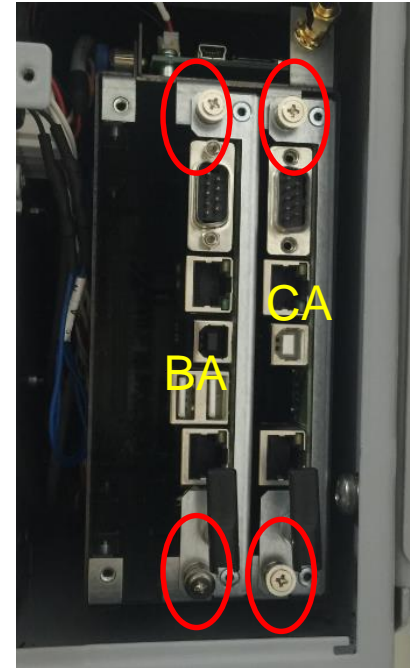
➤ Use screw driver to take off the cover

Step3:



➤ Take off the connector on BA and CA CSU

Step4:



➤ Loose screws and pull up the BA and CA CSU and re plug.

Thank You!

To learn more about Delta, please visit www.deltaww.com.

