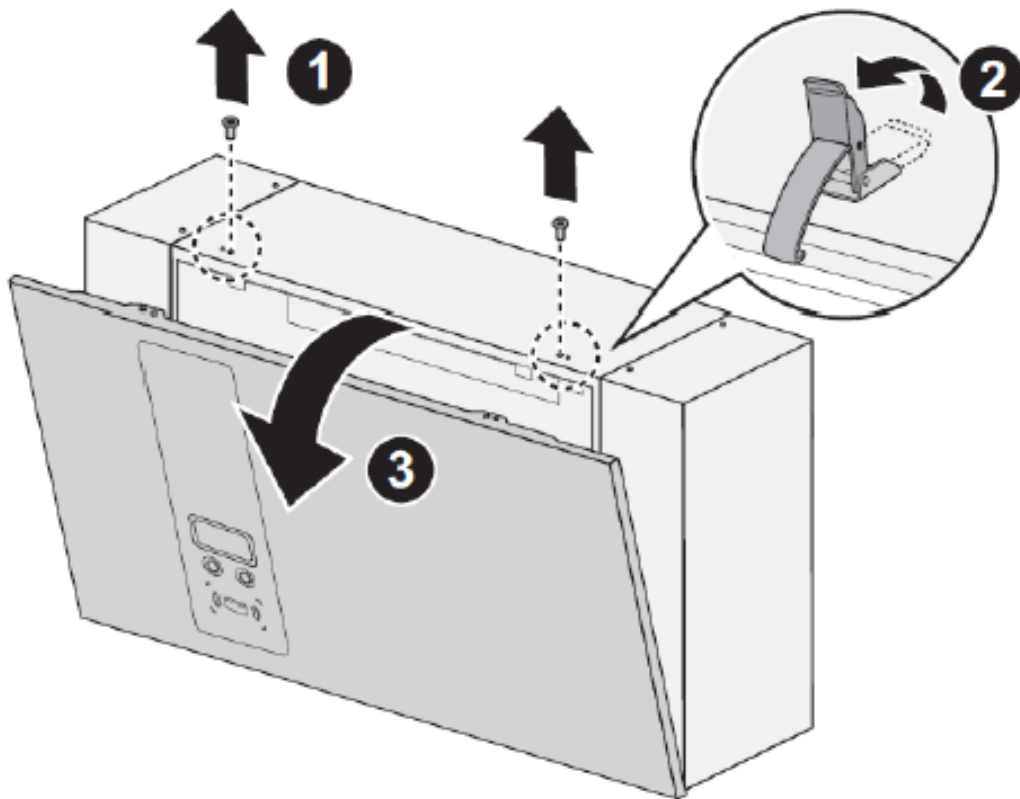


# Charging gun temperature sensor

D010\_v1.0



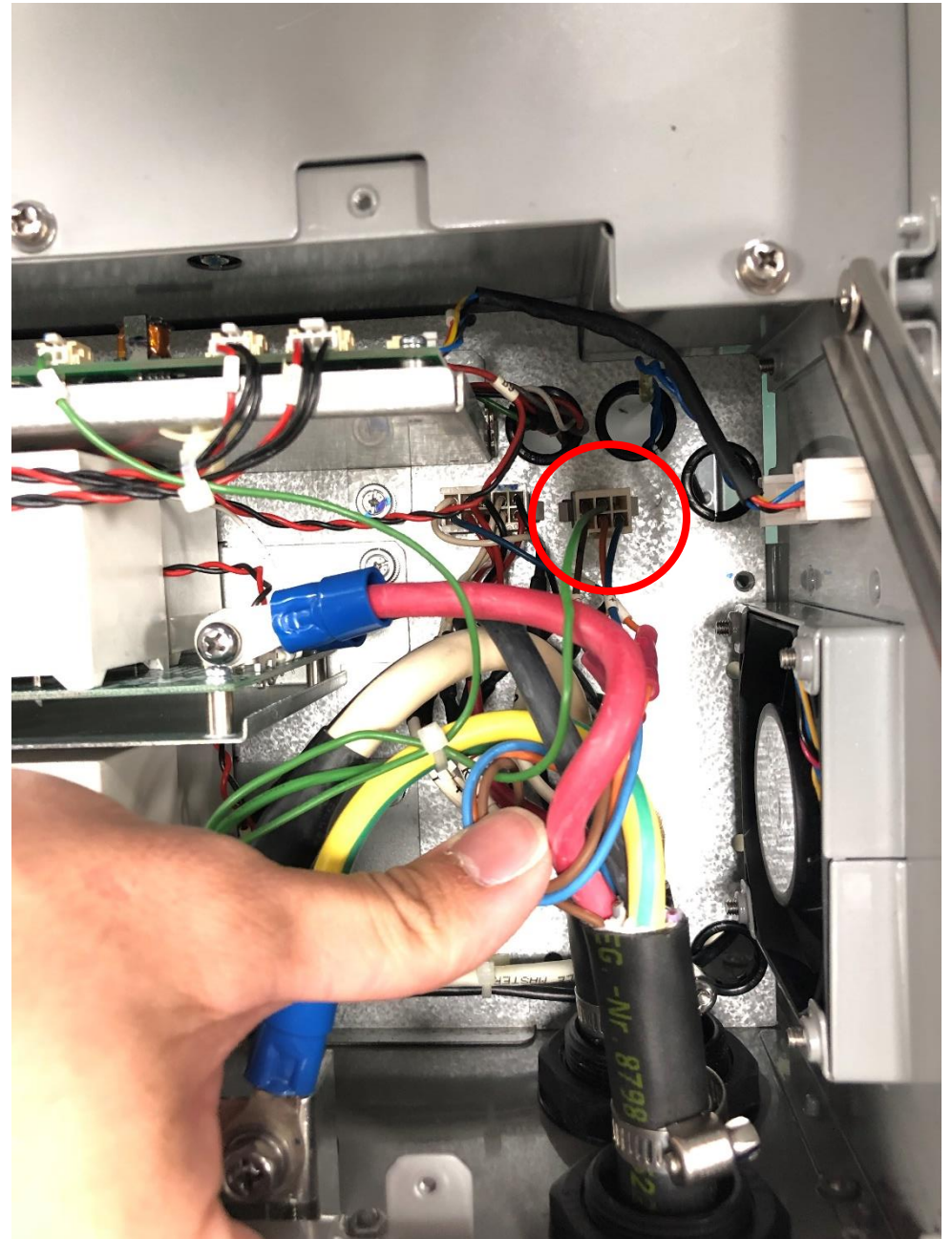
# Open front cover



➤ Turn off the charger

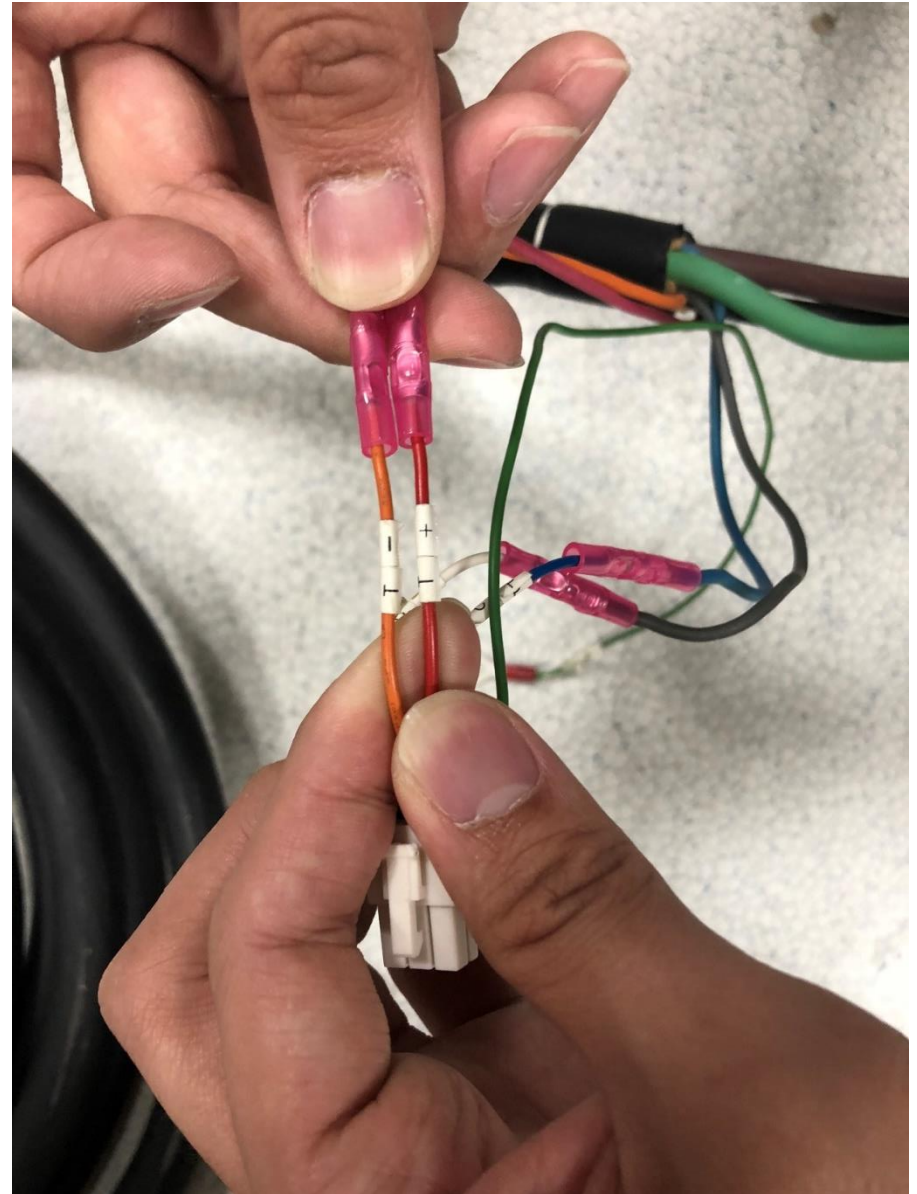
- Release two screws on top (T15)
- Release the latches to open front cover.
- Put down front cover gently.

- Check connector(6 pin) on right side of relay board
- Unplug



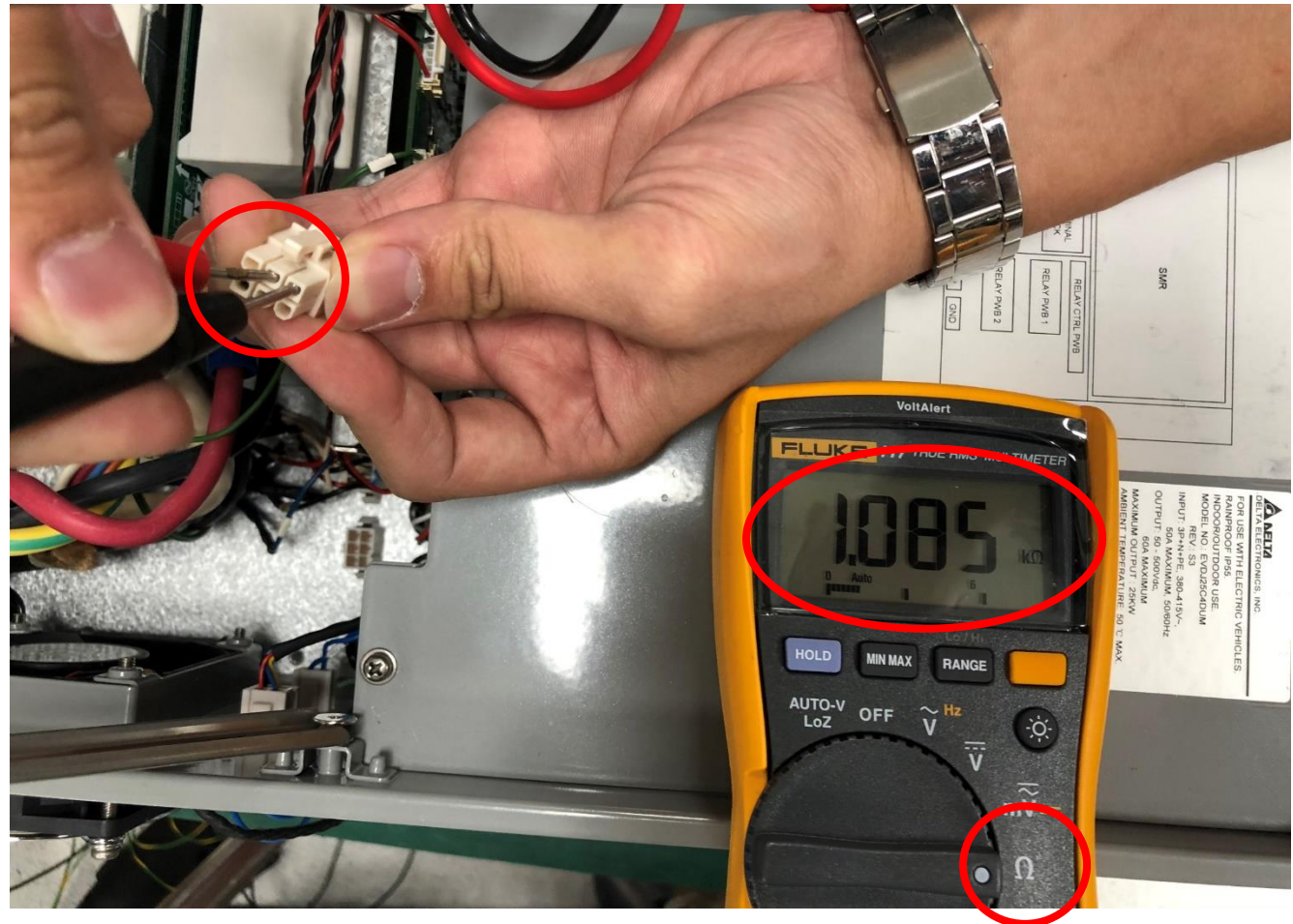
# Check the T+ and T- cable

- Check the T+ and T- by label on cable



# Measure the resistance

- Resistance between T+ and T- should be between 1.25k $\Omega$  ~ 800 $\Omega$  under 60°C to - 40°C
- If not, short or open circuit, replacing CCS charging gun



# Smarter. Greener. Together.

To learn more about Delta, please visit [www.deltaww.com](http://www.deltaww.com).

