

LCM FW update

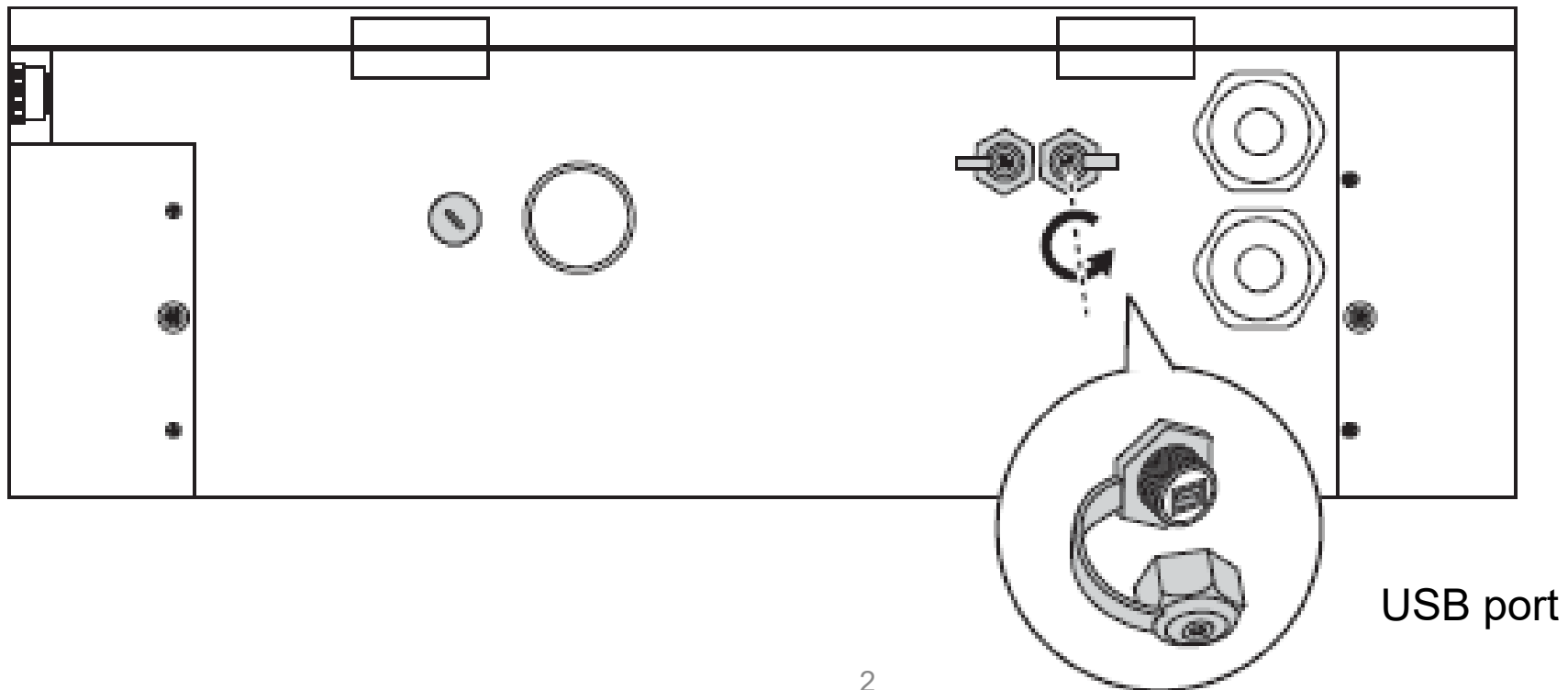
D013_v3.0



USB FW update

Update step:

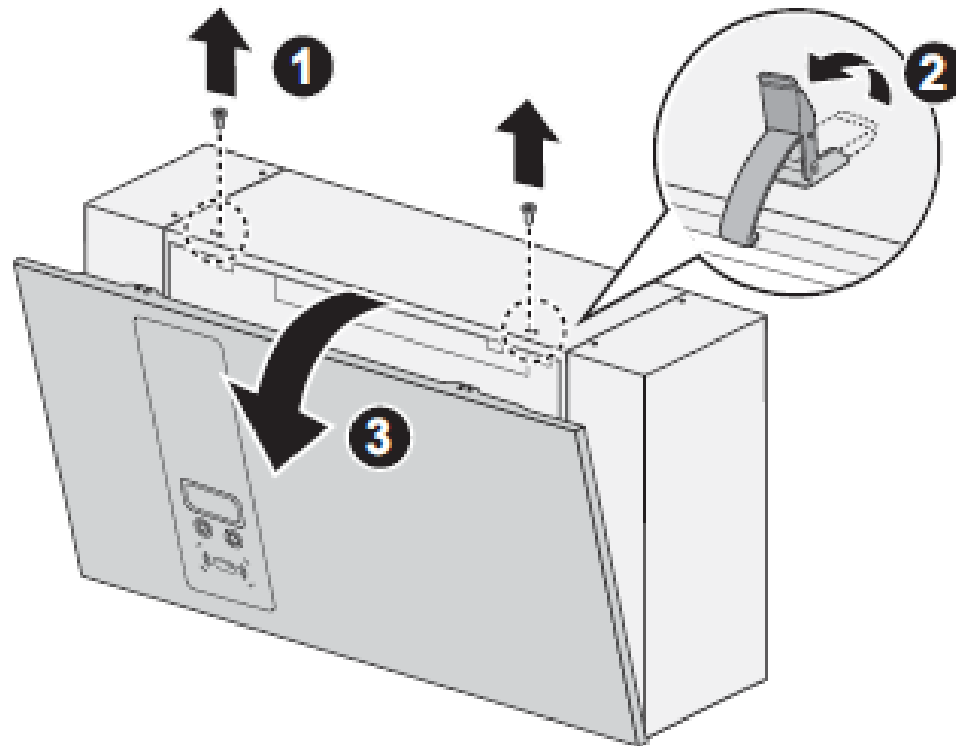
1. Please prepare a USB flash drive (with format FAT/FAT32, <32GB)
2. Save the LCM FW file(5050300205) into USB flash drive
3. Insert the USB flash into the USB Host ports of the CSU on the bottom (labeled USB), update will process automatically.
4. **Please wait about 5 min.**
5. Unplug the USB flash. Then system will restart automatically.



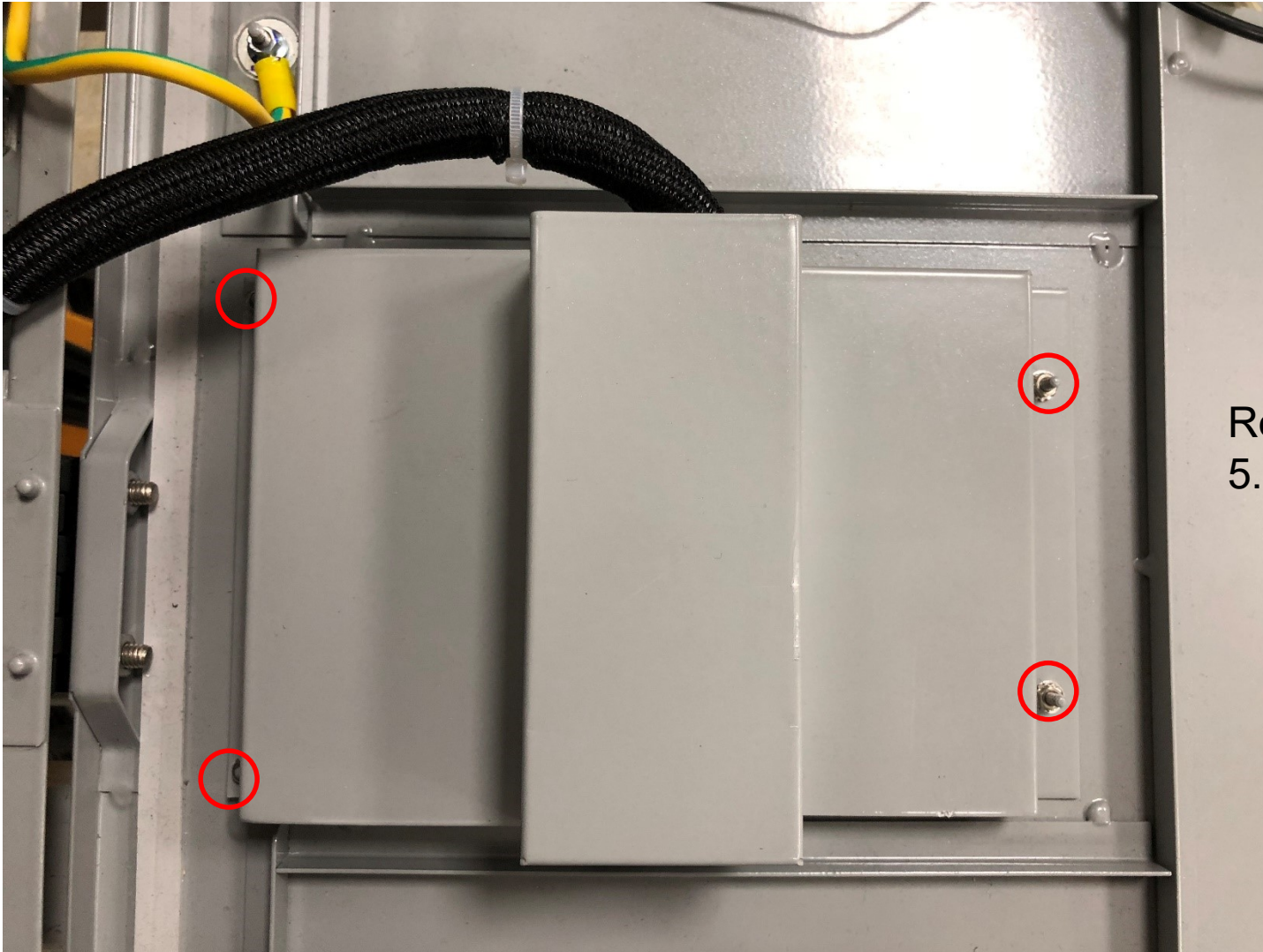
Identify LCM PCB version I

Open front cover for wiring.

- a. Release two screws on top.
- b. Release the latches to open front cover.
- c. Put down front cover gently.

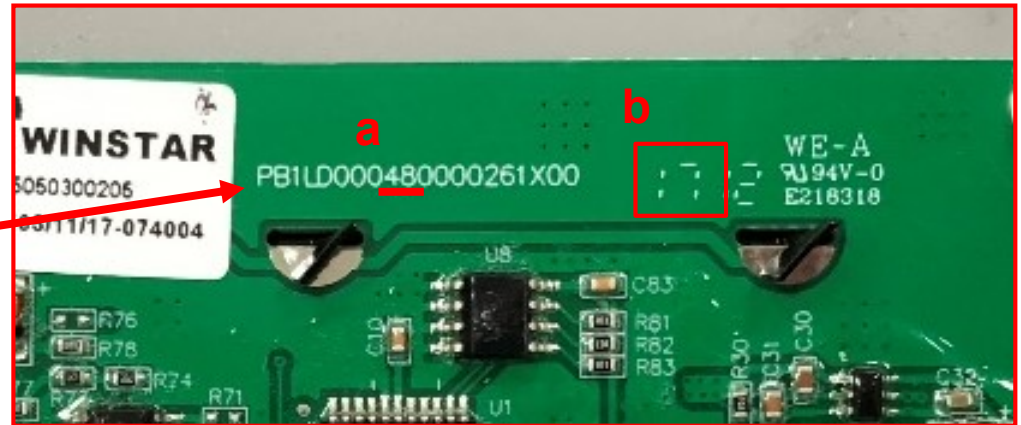
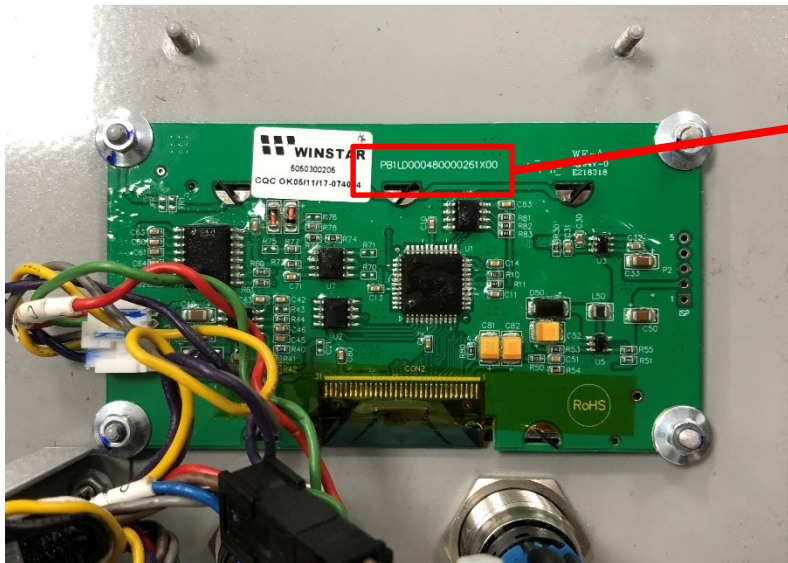


Identify LCM PCB version II



Release 4 nuts by
5.5mm hexagon socket

Identify LCM PCB version III



1. Check the part number on PCB
2. a. It should be PB1LD000**48** or PB1LD000**102**
b. It should be year **17 or after**
3. Replace LCM if not match. Old version LCM is not compatible with latest FW and can not display.

Thank You!

To learn more about Delta, please visit www.deltaww.com.

