

DCWB checking relay control board cables

2019

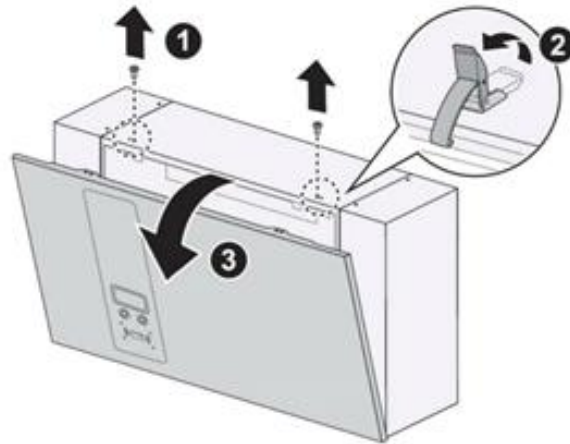




Steps for single connector

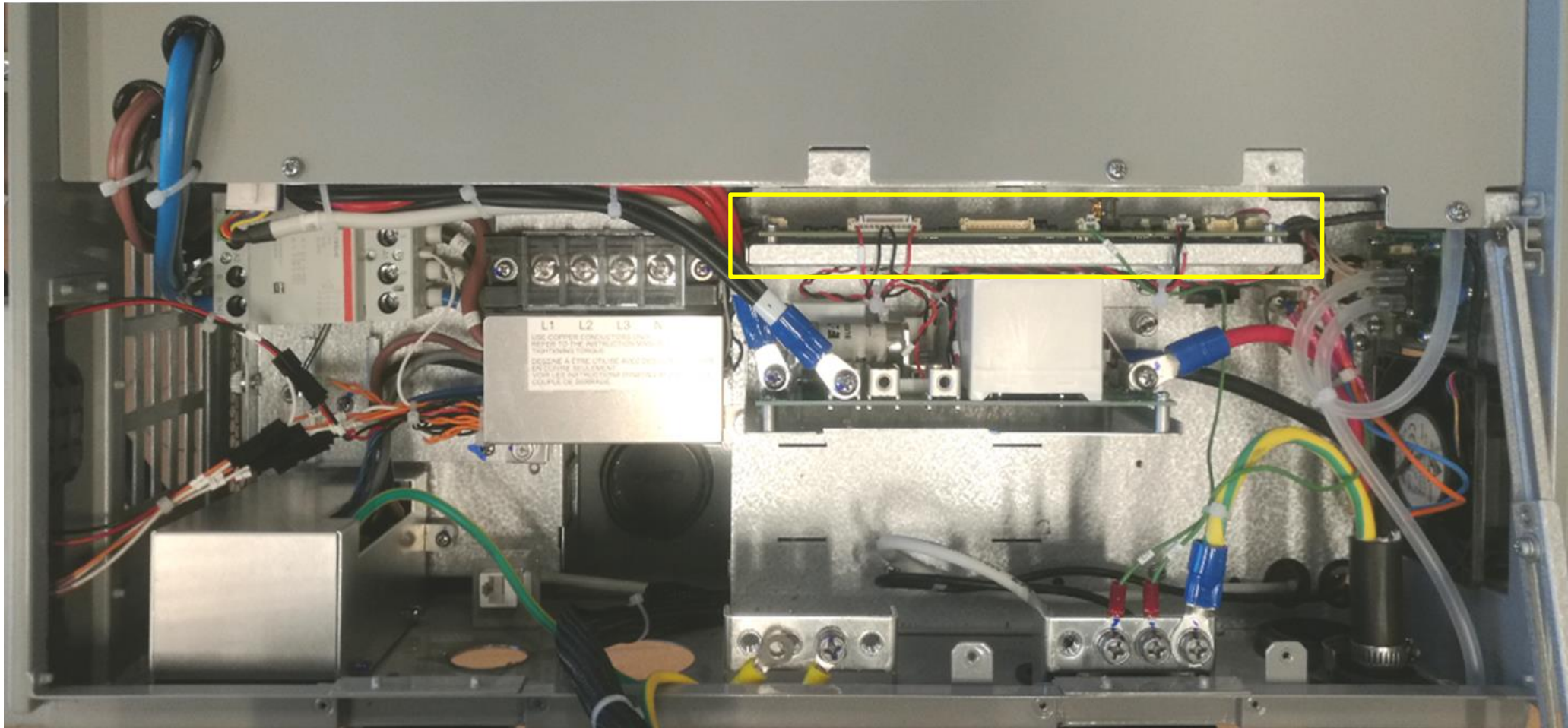
Steps

1. Cut down power completely from upstream breaker
2. Open the front cover



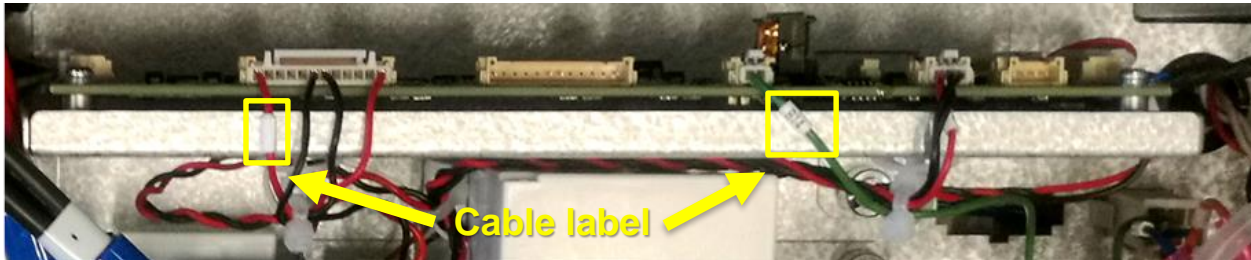
- Release two screws on top (T15)
- Release the latches to open front cover.
- Put down front cover gently.

3. Find the relay control board (yellow rectangular)

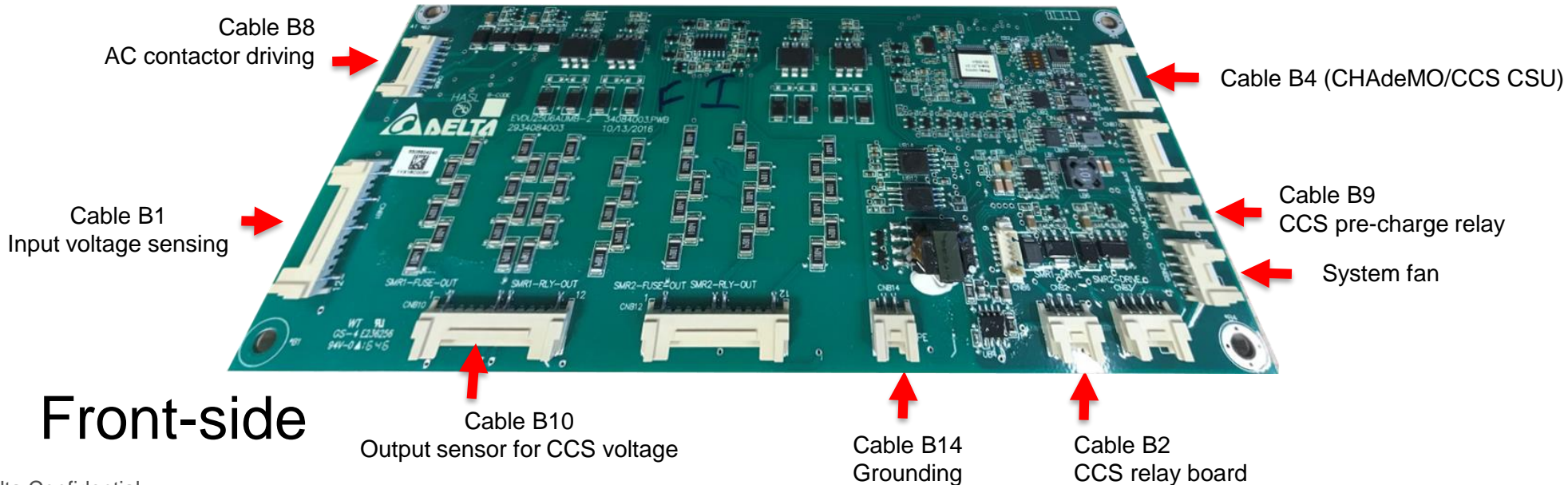


Steps

4. Check if all cable male connectors are well plug into the female connectors



Rear-side



Front-side



Steps

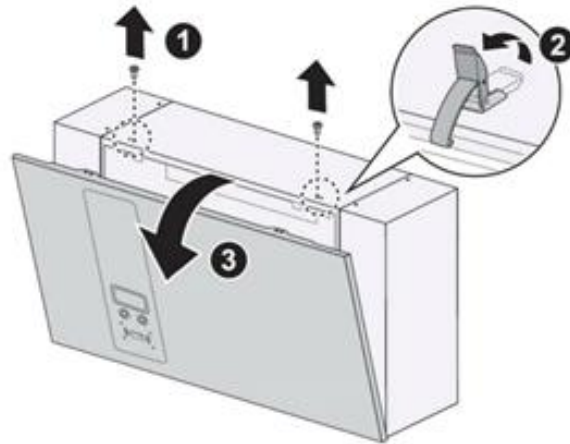
5. Recover all components back and try if the issue is solved



Steps for dual connector

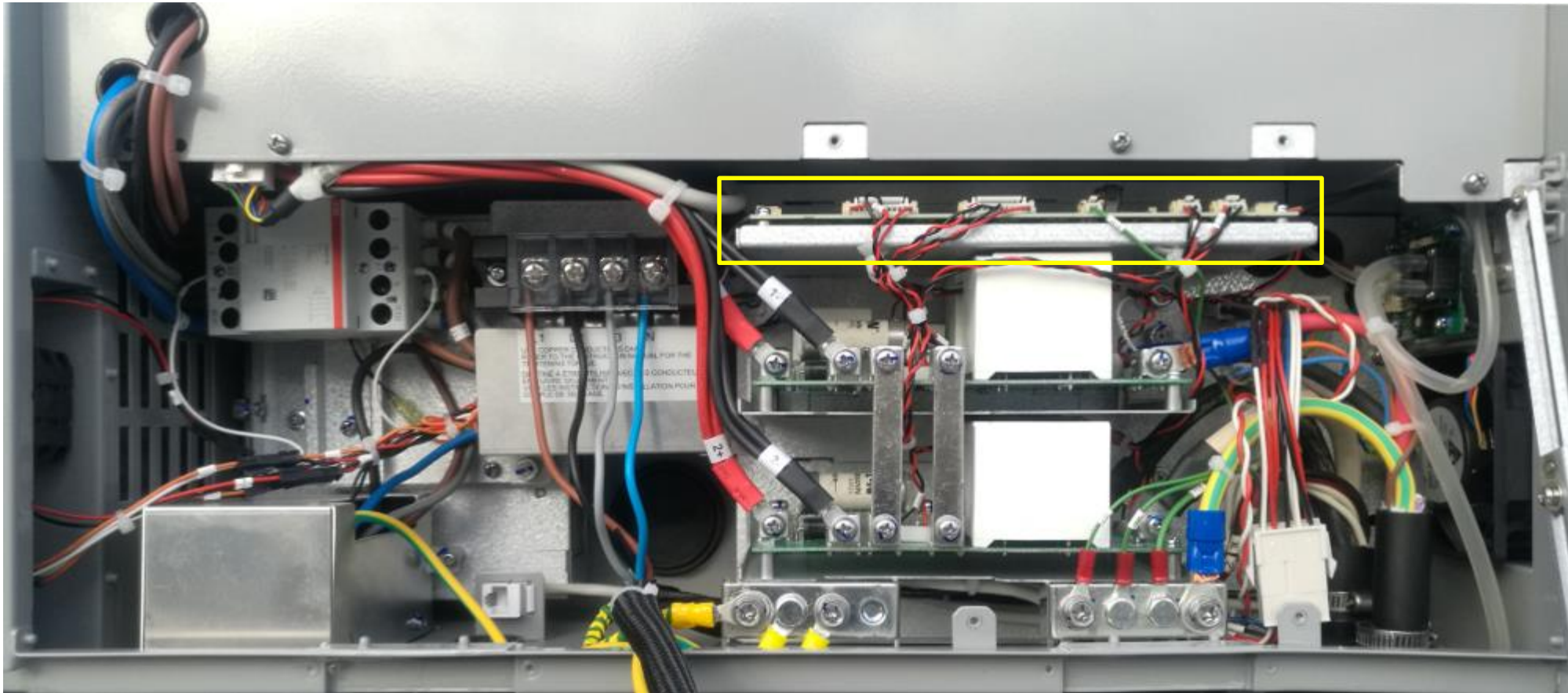
Steps

1. Cut down power completely from upstream breaker
2. Open the front cover

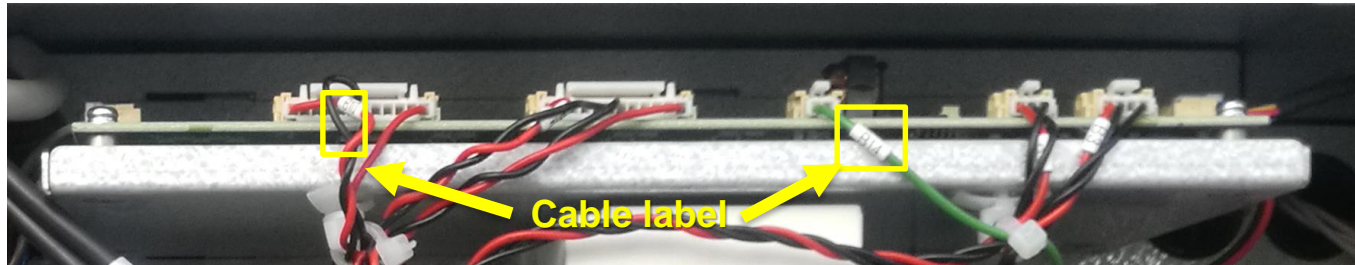


- Release two screws on top (T15)
- Release the latches to open front cover.
- Put down front cover gently.

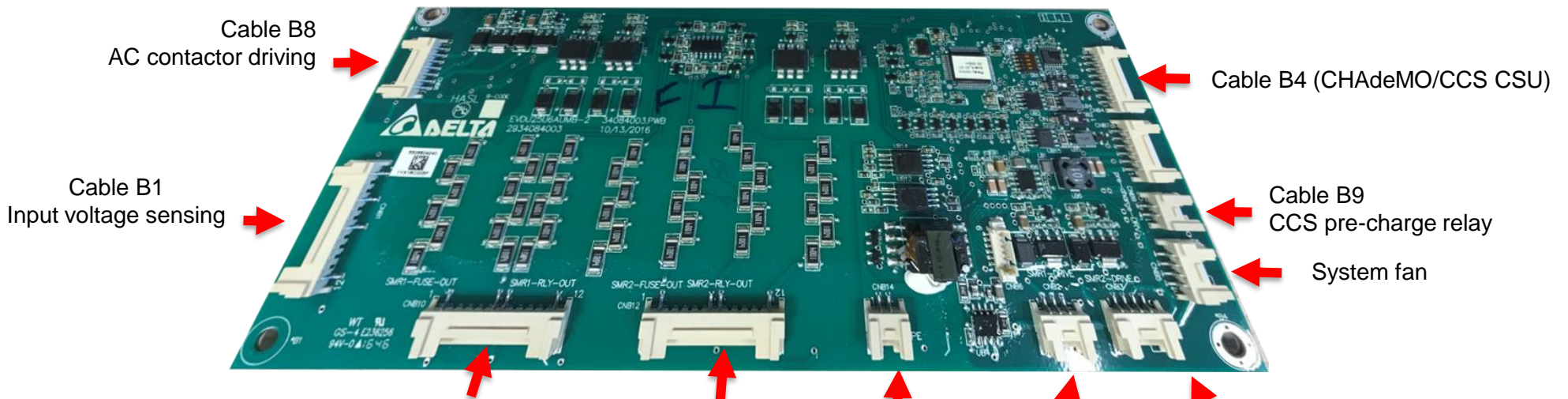
3. Find the relay control board (yellow rectangular)



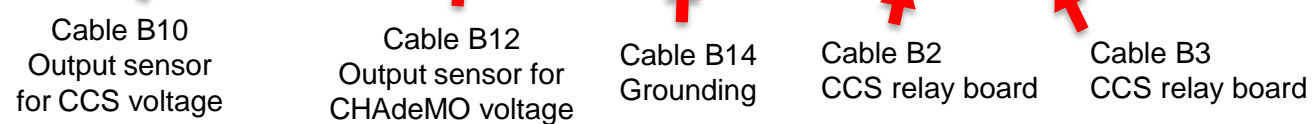
4. Check if all cable male connectors are well plug into the female connectors



Rear-side



Front-side





Steps

5. Recover all components back and try if the issue is solved

Smarter. Greener. Together.

To learn more about Delta, please visit www.deltaww.com.

