

DC Wallbox

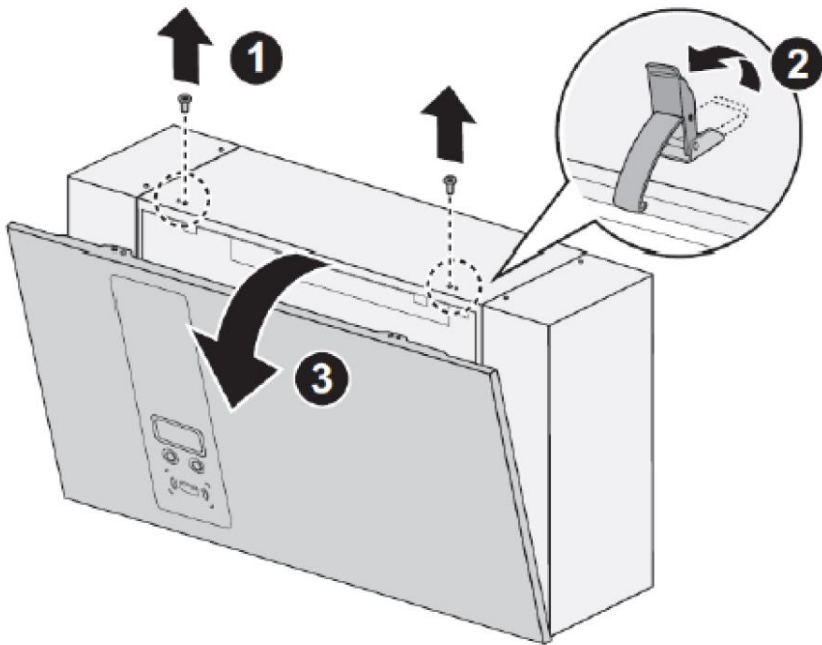
Check connector between SMR and BA

May. 17, 2021

D030_v1.0



Open front cover

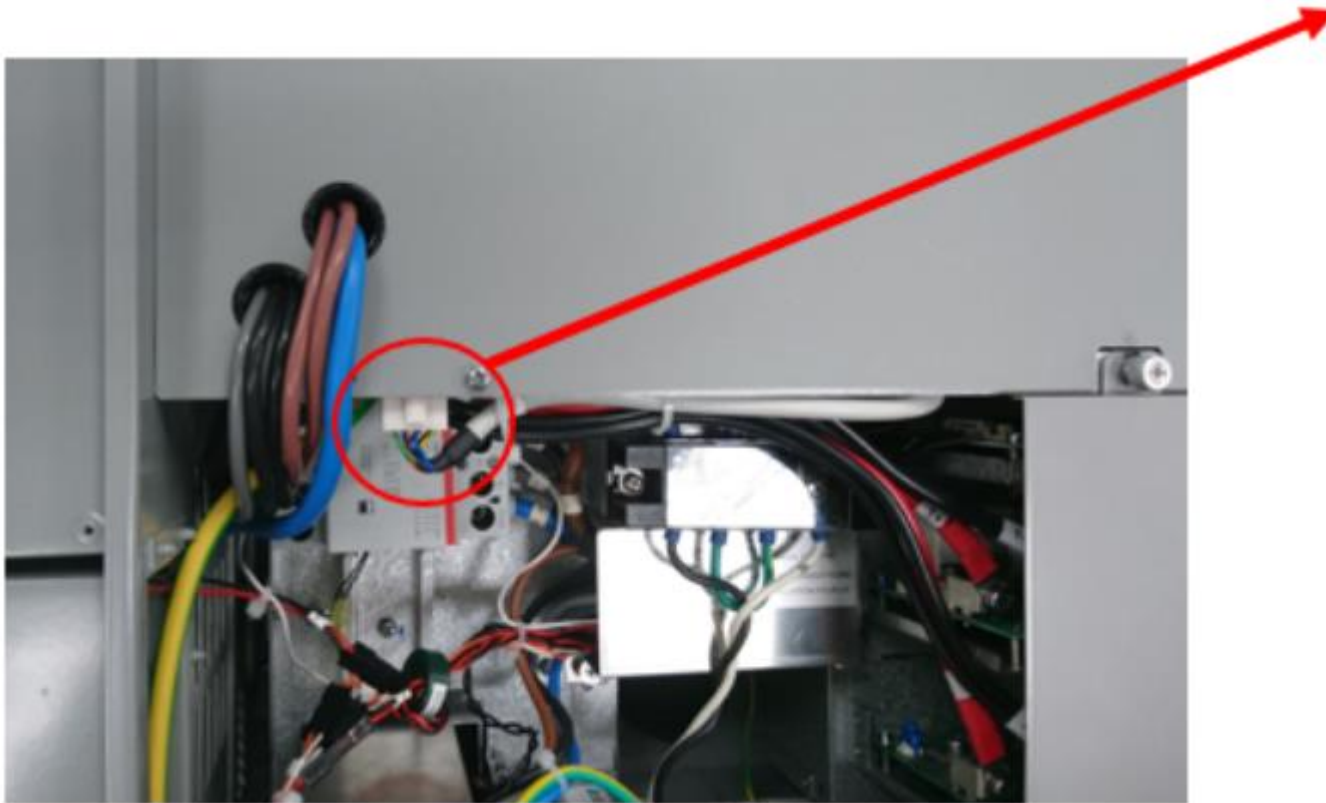


- ① Release two screws on top (T15)
- ② Release the latches to open front cover
- ③ Put down front cover gently

Check the connector

It is the connector between SMR and BA board.

Confirm it is connected well or re-install it, to see if error 005006 is resolved.



Smarter. Greener. Together.

To learn more about Delta, please visit www.deltaww.com.

