

Replace CHAdeMO CSU

DS04_v1.0





Relevance part number

- 3799706200-S
- 3798100015-S
- 3798100016-S
- 3798100017-S
- 3798100018-S



WARNING!

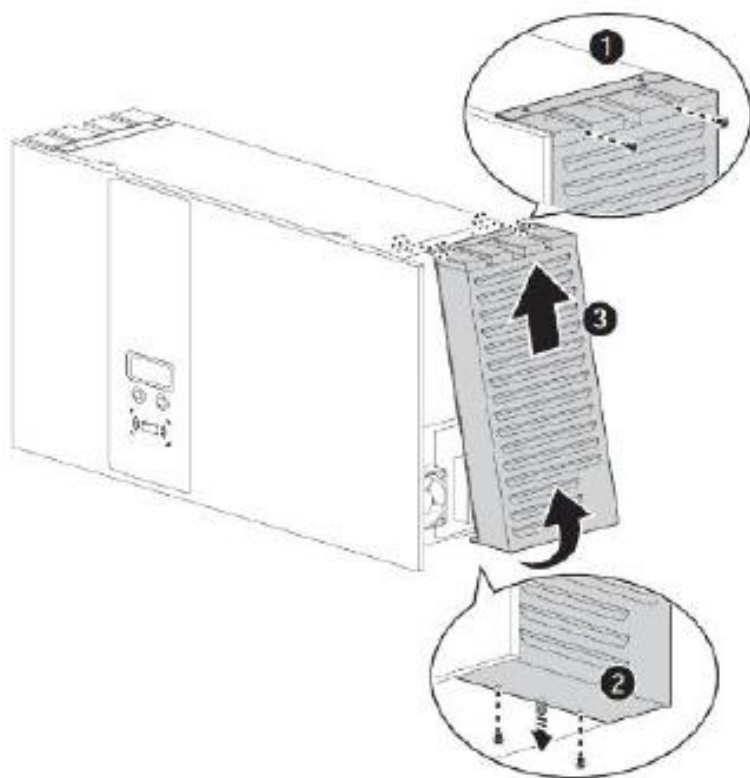
To avoid danger of electrical shock or injury, turn off power at the panel board or load center before working on the equipment or removing any component. Do not remove circuit protective devices or any other component until the power is turned off.

Disconnect electrical power to the DC Wallbox before any maintenance work to ensure that it is separated from the supply of AC mains. Failure to do so may cause physical injury or damage to the electrical system and charging unit.

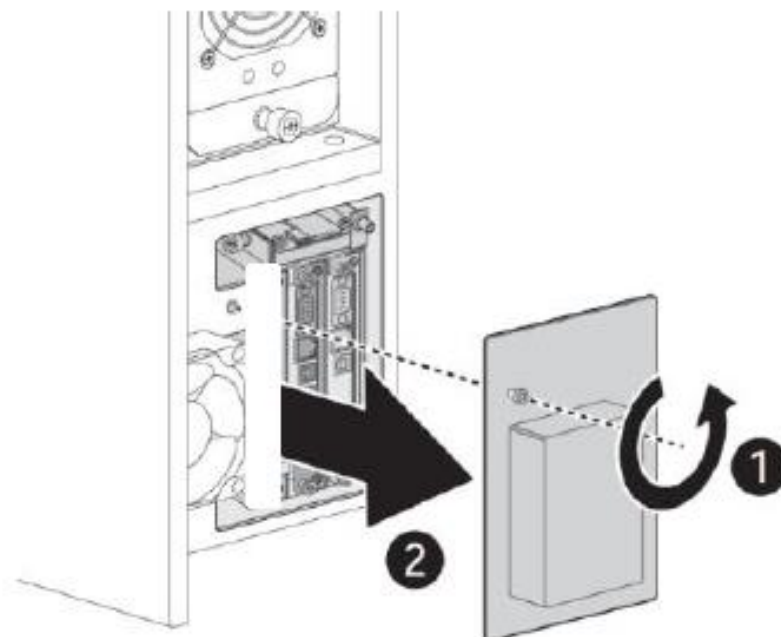
Remove side cover

Remove filter cover with T20 torx driver

- Release the two screws on top.
- Release the two screws on bottom and pull out the latch.
- Open and remove the filter cover.



Remove protection cover



Replace the CAHdeMO CSU

Step1:



➤ Turn off the power and take off the filter cover

Step2:



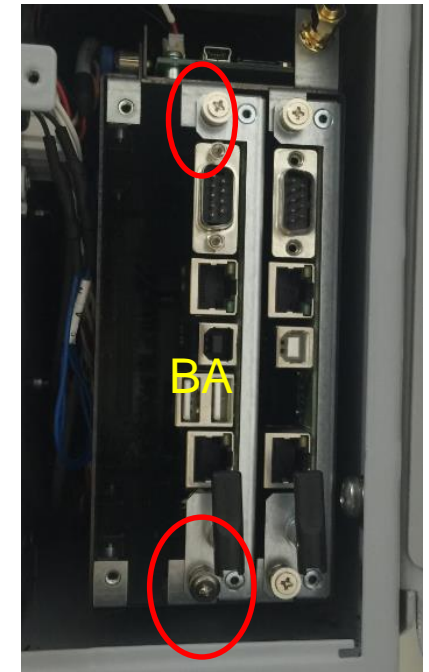
➤ Use screw driver to take off the cover

Step3:



➤ Take off the connector on CHAdeMO CSU (aka BA CSU)

Step4:



➤ Loose the two screw and pull up the BA CSU

Smarter. Greener. Together.

To learn more about Delta, please visit www.deltaww.com.

