

# Replace the relay control board





# Relevance part number

- 3798100032-S
- 3798100033-S

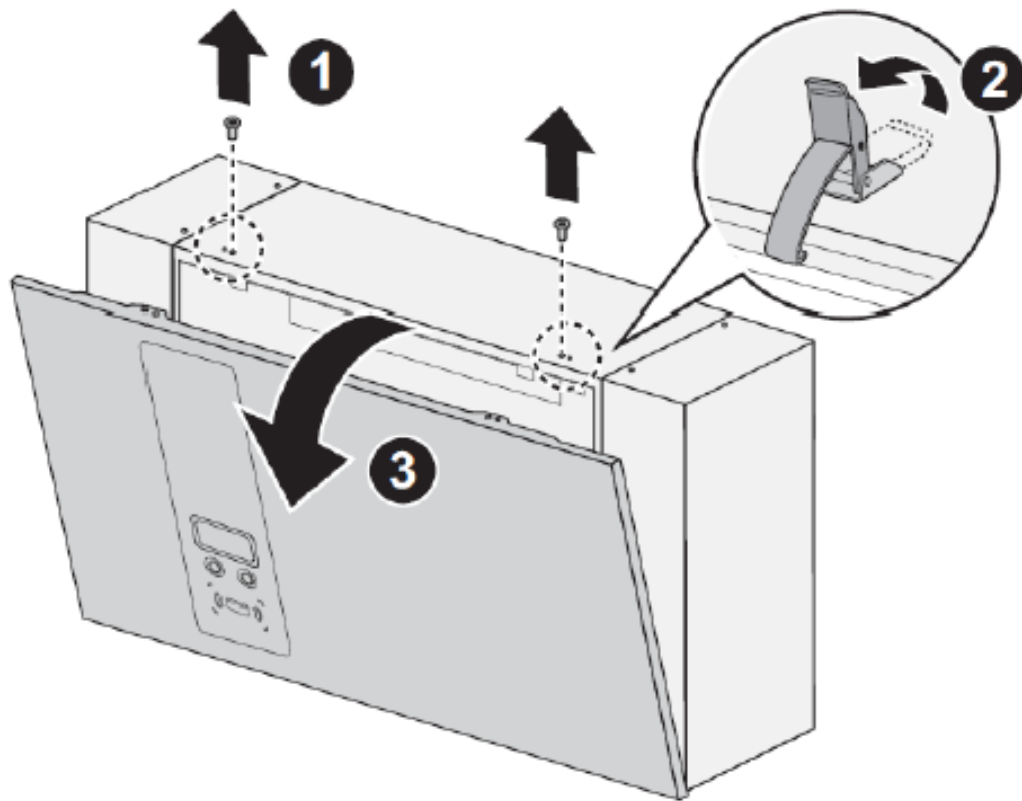


## **WARNING!**

To avoid danger of electrical shock or injury, turn off power at the panel board or load center before working on the equipment or removing any component. Do not remove circuit protective devices or any other component until the power is turned off.

Disconnect electrical power to the DC Wallbox before any maintenance work to ensure that it is separated from the supply of AC mains. Failure to do so may cause physical injury or damage to the electrical system and charging unit.

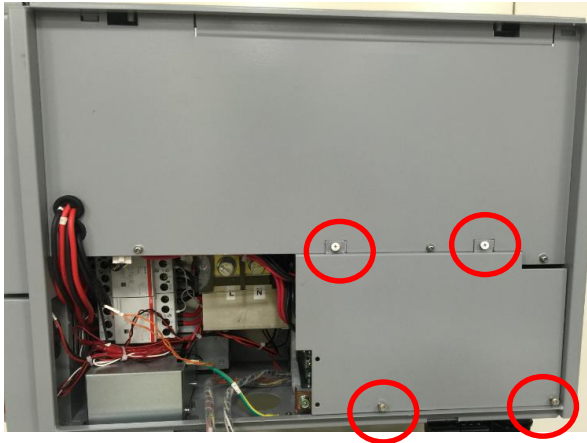
## Open front cover



- Release two screws on top (T15)
- Release the latches to open front cover.
- Put down front cover gently.

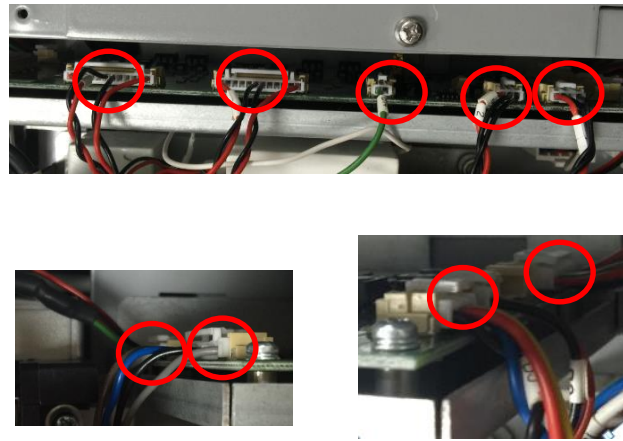
# Replace the relay control board

Step1:



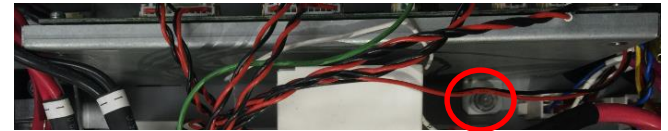
- Turn off the charger
- Open front door and loose four screws

Step2:



- Take off the nine connector

Step3:



- Loose the screw
- Take off relay control board and replace it
- Reverse the sequence

# Smarter. Greener. Together.

To learn more about Delta, please visit [www.deltaww.com](http://www.deltaww.com).

