

DCWB_Replace AC Contactor

Mar. 26, 2019

DS13_v1.0



Tools Prepare

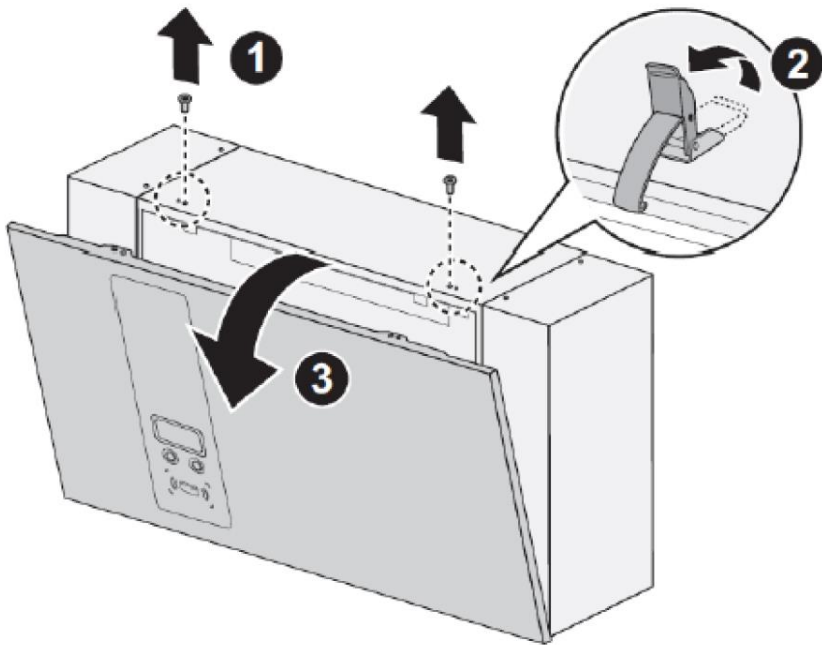
- Tweezers



- Screwdriver set

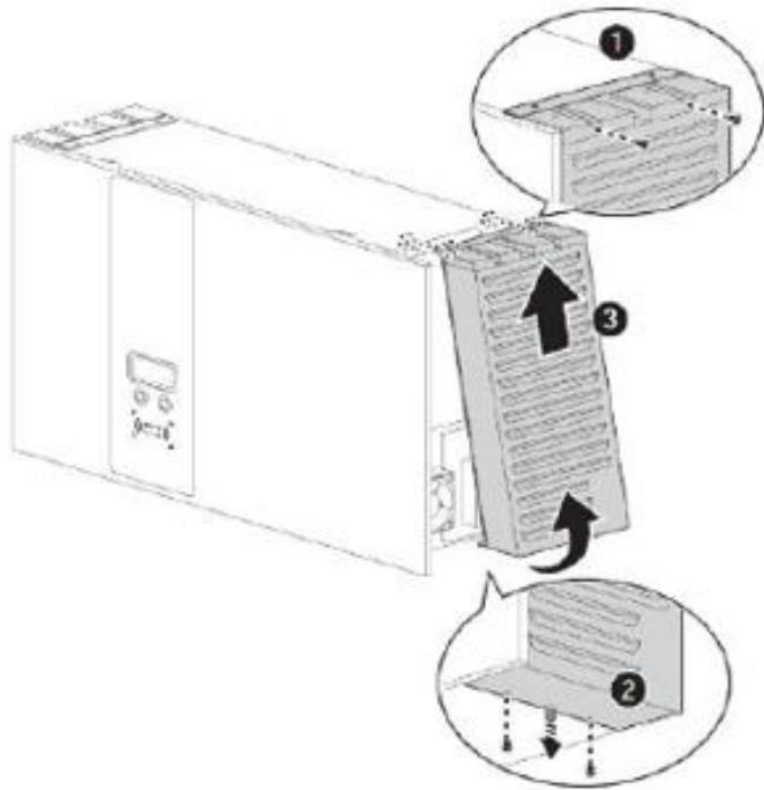


Open front cover



- ① Release two screws on top (T15)
- ② Release the latches to open front cover
- ③ Put down front cover gently

Remove **left** side filter cover



Remove filter cover with T20 torx driver

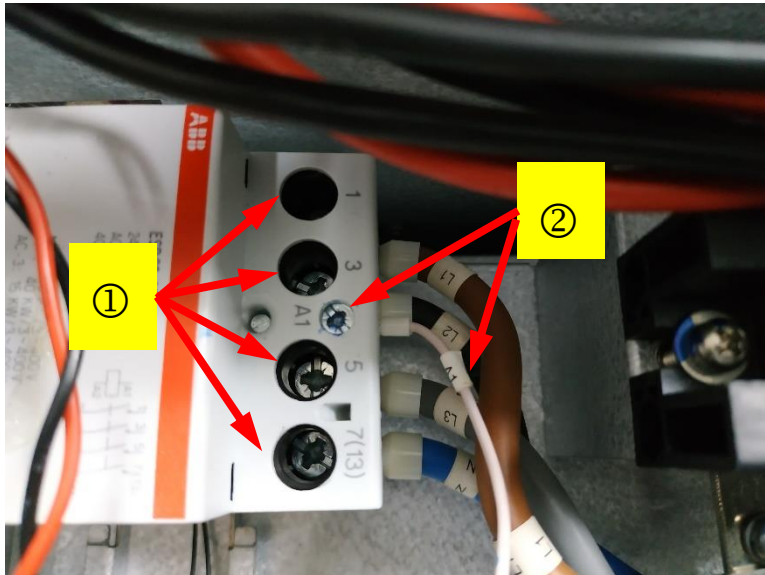
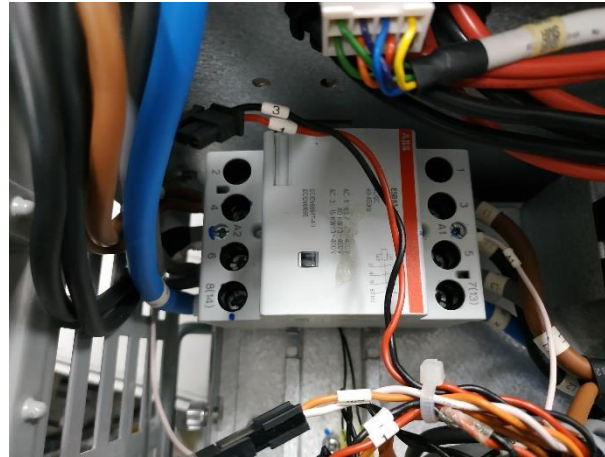
- ① Release the two screws on top
- ② Release the two screws on bottom and pull out the latch
- ③ Open and remove the filter cover

This photo is taking right filter for example



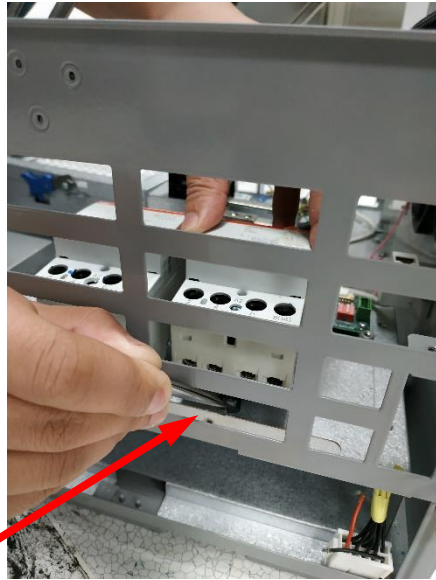
Release AC Contactor cable

Before release AC Contractor cables, talk a photo for recording the wiring.

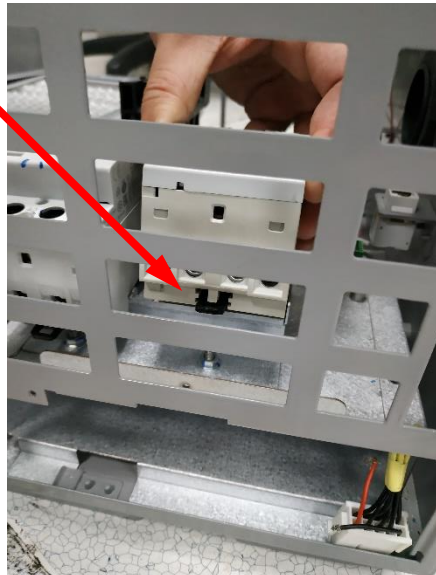


- ① Release AC input power cables by using suitable screwdriver
- ② Release 24V aux. power cable by using suitable screwdriver

Release AC Contactor cable



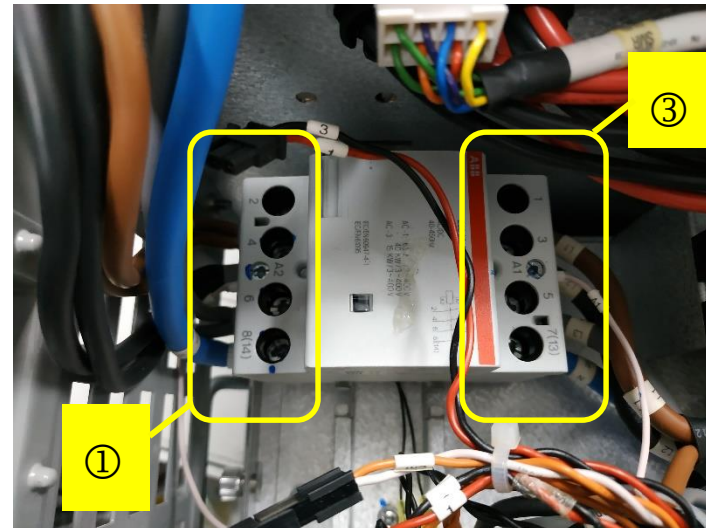
③



- ③ Use tweezers to unscrew the black buckle, and then pull up the AC Contactor

Install AC Contactor cable

- ① Firstly connect the left side AC input power cables and 24V aux. power cable on the new AC Contactor
- ② Then buckled the black buckle and put the new AC Contactor back to the original position
- ③ Finally connect the right side power cables on the new AC Contactor



Smarter. Greener. Together.

To learn more about Delta, please visit www.deltaww.com.

